

INDIGENUS



STEEN

The Steen planter, designed by architects Stefan Antoni and Greg Truen of SAOTA, features an unusual horizontal orientation inspired by jutting boulders. Made from glass reinforced concrete, each piece is hand buffed to achieve a beautiful suede-like finish, sealed for protection and lined to be fully waterproof. Steen planters come in natural grey concrete, limestone white and black.

MATERIALS

Glass Re-inforced **Concrete** (GRC)

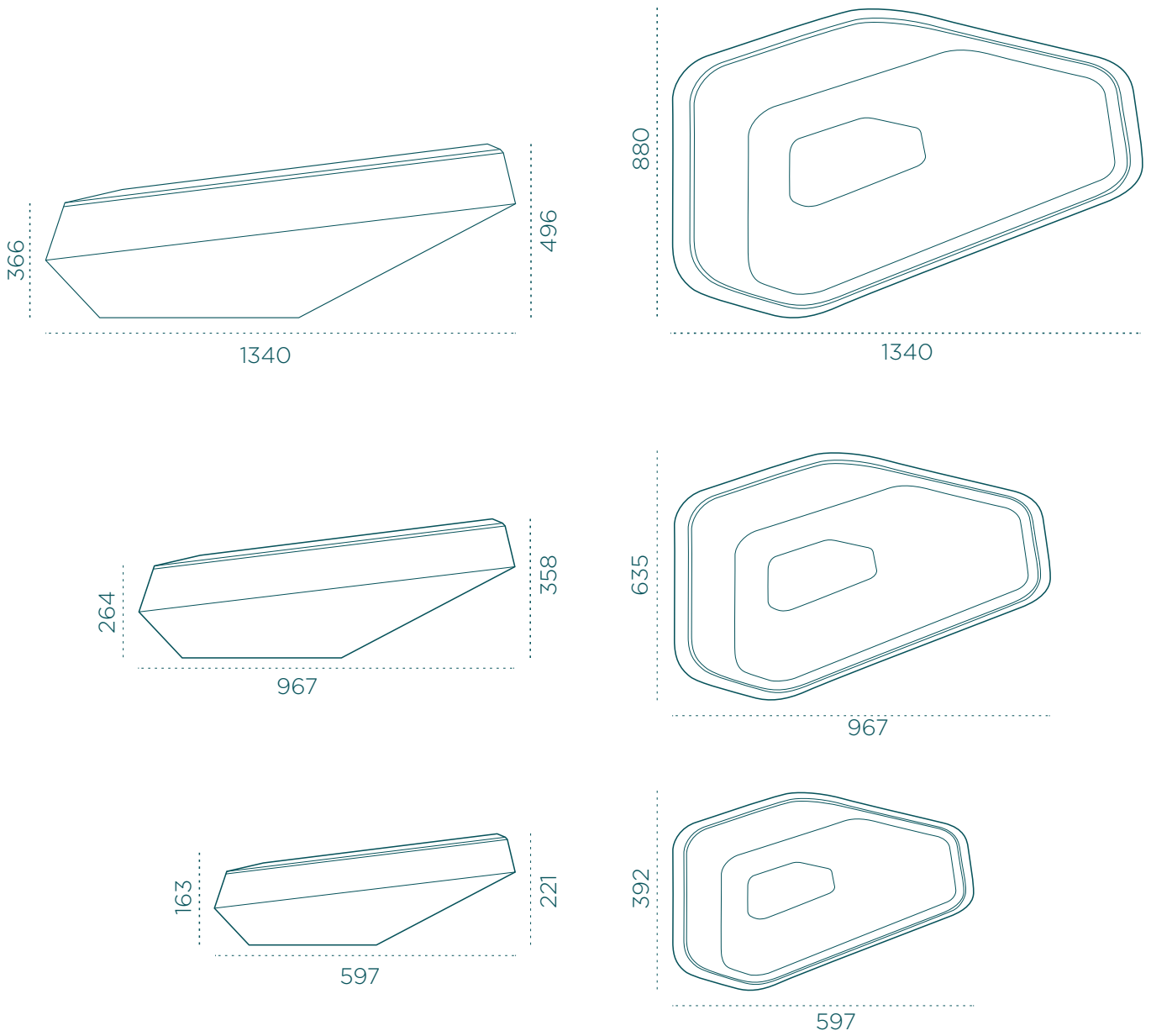
Stainless **Steel** & rubber bung

Plastic self watering plant liner

INDIGENUS

STEEN

SIZES



INDIGENUS

STEEN

ASSEMBLING THE PLANTERS

The planters will be delivered ready for use. The only assembly decision that needs to be made is whether the planters are indoors/under roof or outdoors and exposed to rain.

If the planters are indoors then ensure that the bung is tightened tightly by twisting the T-piece clockwise until it resists fairly strongly.

If the planters are to be used outdoors under rain then turn the bung anti-clockwise until the bung pulls out relatively easily. This will allow water to flow out from the planter preventing the excessive build up within the planter. The bung position is raised to allow for the catchment of some water in the base to feed the plants as the roots grow down.

IMPORTANT MAINTENANCE INFORMATION

The planter has been waterproofed on the inside using a polyurethane sealer. This protects the planter from the natural porosity of the concrete which can allow water to penetrate and reach the outer surface of the planters causing discolouration and potentially small cracks.

The waterproofing requires flushing before using for plants and in particular fish. Proper care should be taken, to ensure there is no contamination, before the fish can be put in the pond. The water must be drained at least 2-3 times before putting in the fish and thereafter the requisite water preparation would need to occur as outlined by your fish supplier.